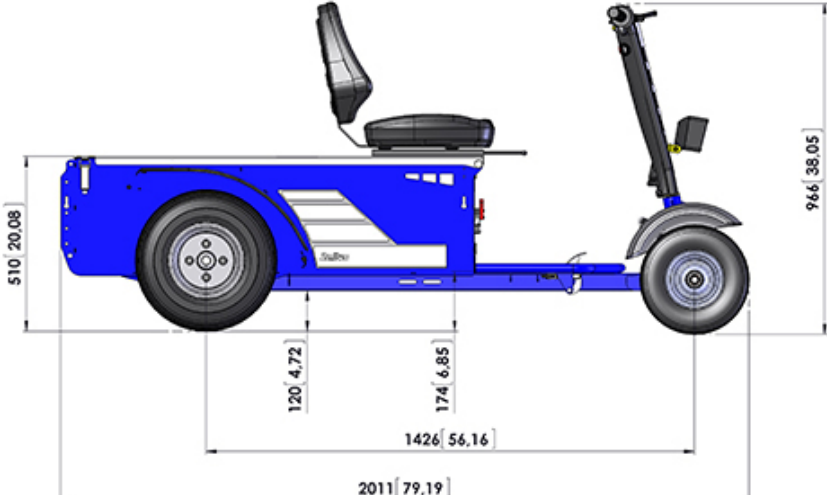
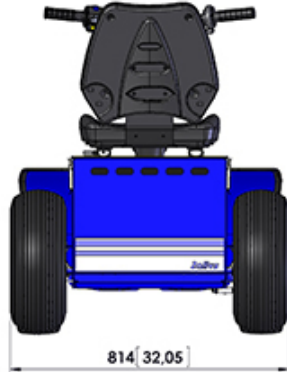
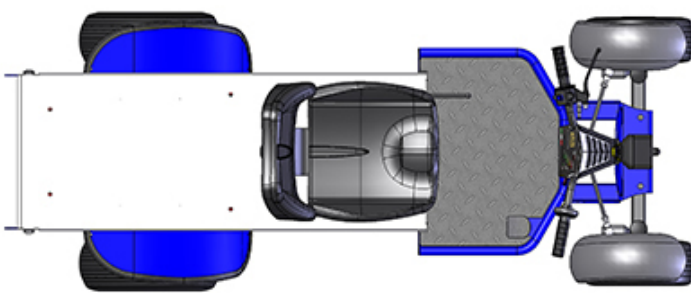





...the passion for moving

				
				
<b>Zallys</b>	TABLE:	<b>S2</b>	Unit: mm / [ inch ]	1:10

Characteristics		Tolerance	M.U.	.
1.01	Model number			Z115.720-8
1.02	Model name			S2
1.03	Manufacturer			ZALLY
1.04	Operator			Driver seated
1.05	Power unit			Electric
1.06	UL			
1.07	CE			

Frame characteristics		Tolerance	M.U.	.
1.80	Frame made of			Steel
1.82	Anti-Corrosion Treatment (on customer demand only)			Cataphoresis
1.83	Frame treatment			Polyester powder coating

Safety data		Tolerance	M.U.	.
2.01	Dead man safety system			Seat presence sensor
2.06	Power supply disconnection device			Detachable power connector
2.07	Lighting device			Halogen light
2.09	Audible reverse beeper			beeper
2.10	Acoustic signaling			Electric horn
2.11	Drive controls			Maintained action switch

Performances		Tolerance	M.U.	.
3.01	Max. forward speed	± 5 %	km/h	10
3.02	Max. backward speed	± 5 %	km/h	5
3.06	Max.load capacity on flat ground		kg	150
3.11	Max.towing capacity on flat ground (max 3') **		kg	1500
3.15	Max.slope with load *		%	20
3.18	N° Operatori			1
3.38	* Load capacity is subject to kind of slope , kind of floor and operating time			
3.40	** While the force expressed in N at the hook remains unchanged, the following circumstances may affect the towing capacity expressed in KG : type of ground on which the towing is performed, the use (or not) of ballasts and type of wheels mounted on the vehicle and on the trailer			

Drive controls		Tolerance	M.U.	.
4.01	Type of control			Handle Bars
4.02	Type of start control			handlebar gas-grip

Standard batteries		Tolerance	M.U.	.
5.01	Batteries			4
5.02	Batteries type			Traction lead acid batteries
5.03	Battery voltage		V	6
5.04	Nominal Capacity 5 h		Ah	180
5.05	Nominal Capacity 20 h		Ah	240
5.06	Weight of each battery		kg	29

5.08	Weight of 180/240A battery pack		kg	138
------	---------------------------------	--	----	-----

Optional battery specifications		Tolerance	M.U.	.
5.11	Batteries pcs			4
5.12	Batteries type			Traction GEL batteries
5.13	Battery voltage		V	6
5.14	Nominal Capacity k5		Ah	180
5.15	Nominal Capacity k20		Ah	240
5.16	Weight of each battery		kg	33
5.20	Weight of 180/240A battery pack		kg	152

Available chargers		Tolerance	M.U.	.
6.40	Standard voltage		V	220/240
6.41	Multitension		V	110/240
6.42	Plug			In use in the country of destination

Technical data of standard charger		Tolerance	M.U.	.
6.01	Battery charger			External - high frequency
6.02	Input voltage		V	230
6.03	Input Frequency		Hz	50-60

Optional charger specifications		Tolerance	M.U.	.
6.26	Charger suitable for GEL batteries of		A	180/240
6.31	**for all other details please refer to standard charger specifications			

Drive motor		Tolerance	M.U.	.
7.03	Engine			Electric
7.04	Electricity			Alternating current
7.05	Engine voltage		V	24

Technical data		Tolerance	M.U.	.
8.01	Transmission system			Mechanical
8.02	Transmission lubrication			In oil bath
8.05	Traction			Rear-wheel drive
8.06	Service brake			Electronic
8.07	Service and emergency brake			Mechanical
8.08	Parking brake			Electro-Mechanical
8.12	Type of seat			Ergonomic seat

Weight		Tolerance	M.U.	.
9.01	Weight without batteries		kg	186
9.10	Weight incl. 180/240A lead acid batteries		kg	324
9.11	Weight incl. 180/240A GEL batteries		kg	338

Dimensions		Tolerance	M.U.	.

10.01	Length		mm	2011
10.02	Width		mm	814
10.03	Height of start control		mm	966
10.06	Height of seat / saddle		mm	602
10.08	Loading platform height		mm	510
10.14	Wheelbase		mm	1426
10.15	Turning circle		mm	4300
10.50	**For further details please click on dimensions			

Standard wheels		Tolerance	M.U.	.
11.01	Drive wheels			2
11.02	Steering wheels			2
11.05	Tyres			Pneumatic
11.06	Type of tyres			Grooved tyres
11.13	Drive tyres size			16-6.50-8"
11.14	Steering wheels size			13-5.00-6"
11.25	Inflation pressure		bar	2

Optional wheels		Tolerance	M.U.	.
11.42	Tyres			Super-elastic non-marking wheel
11.43	Kind of tyres			Turf tyres
11.44	Drive tyres size			4.00-8"
11.45	Steering wheels size			4.00-4"