



presents the CAWP-9.6™

The latest in technology promotes safety and is the most cost effective unit in today's market.

Safety is our number one priority. The CAWP-9.6™ eliminates the need for scaffold, scissor lifts and pusharound units. No ladders, no outriggers, no hassles. One man (though rated for two) can easily do a job safely, quickly and efficiently.

It has the lowest rolling tire floor load and unit weight in the industry - just 1212 lbs. Unit features dual platform extensions with an unrestricted platform capacity.

Its unique design promotes usage in very confined areas. Small elevators, narrow hallways, closets, aisle ways, mezzanines and congested office space are just a few of its many applications.

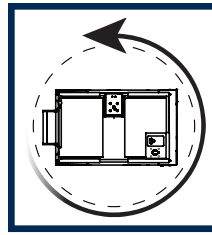
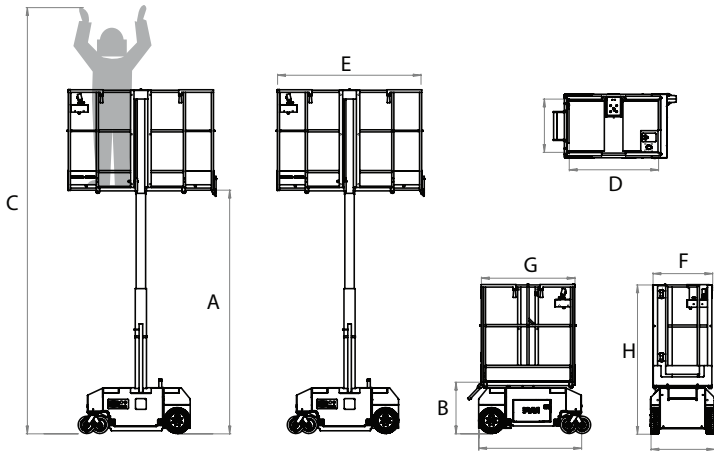
Absolute E-Z Up goes Green! From manufacturing, assembly to its utilization, the AEUP CAWP-9.6™ is environmentally friendly. We use powder coat painting and this model only uses two batteries.

Portability is another key. The unit is light, compact, and easily loaded into a van, truck or pickup. One man can operate and maneuver it easily or it can be loaded with its top mounted forklift.

All this on a small, compact steel base made to stand up to the toughest and harshest construction sites. Its durability and portability are accompanied by the most exciting warranty in the industry.

Work just became fun again...





The best warranty in the industry:
10 years on the mast and cylinder
5 years on all components
1 year on batteries, not prorated

ZERO
Inside Turning Radius
and 39 inches Outside
Turning Radius

Weighing only 1212 lbs., it is compact and easily fits into most elevators.

Able to drive through standard doors without having to leave the platform.

With 35% gradeability, it can easily climb beavertails or a ramp into a truck, van or pickup. It also features a tow hook for easy winching on trucks, roll backs, while using a removable platform control box.

Wheel-locking device allows driving forward and backward in a straight line. Dual platform decks extend while maintaining a total unrestricted platform capacity.

Powered by 2 TROJAN 12 volt high amp batteries that produce a duty cycle of over 250 lift cycles or the ability to drive in excess of 7 miles, then easily recharged in hours using its on-board charger.

Large LCD readout in the ground module provides system diagnostic and status. With its rugged ultra compact and versatile design, our one hand proportional control creates precise and safe operations and withstands all the demanding rental applications.

Platform entry is achieved using a step 15" off the ground and then through a single saloon style swing gate. Built in tilt sensor, flashing light and audible alarm are all standard features.

All these features rolled into the SAFEST and MOST COST EFFECTIVE unit in the industry.



Measurements		Metric	US
A	Platform Height	2,900 mm	9 ft 6 in
B	Entry Step	400 mm	1 ft 3 in
C	Working Height	4,900 mm	16 ft
	Platform Width	680 mm	2 ft 3 in
D	Platform Length	1,115 mm	3 ft 9 in
E	Platform Length w/decks ext	1,700 mm	5 ft 6 in
F	Width	739 mm	2 ft 4 in
G	Length Stowed	1,192 mm	3 ft 10 in
H	Height Stowed	1,740 mm	5 ft 8 in
Platform Unrestricted capacity w/decks ext		180 kg	397 lbs
Ground Clearance		35 mm	1.4 in
Ground Clearance with Loading Device		60 mm	2.4 in
Rated Number of Occupants		2	2
Performance			
Drive Speed Stowed		3 km/h	1.9 mph
Drive Speed Elevated		0.6 km/h	0.35 mph
Inside Turning Radius		zero	zero
Outside Turning Radius		1,050 mm	3 ft 5 in
Gradeability		35%	35%
Raise/Lower Speed		16 / 21 sec	16 / 21 sec
Controls		One Hand proportional controller	
Tires		Solid Rubber, Non Marking	
Front Wheel: diameter / width		200 mm / 70mm	8 in / 2.8 in
Rear Wheel: diameter / width		300 mm / 90 mm	12 in / 3.6 in
Power			
Power Source		110/220 V ca 24 V 12 Ah automatic	110/220 V ca 24 V 12 Ah automatic
Batteries		2 - 12V 85 Ah	2 - 12V 85 Ah
Hydraulic System Capacity		20 lt	5.3 gal
Unit Weight		550 kg	1212 lbs
Standard Compliant		Ansi A92.6, CE Compliant, AS1418.10 (int)	

distributed by:



Absolute E-Z Up® Inc.
 Charleston, SC 29492
 office: 843-388-2556
 fax: 843-388-2558
 e-mail: salesdept@absolute-zup.com
 web: www.absolute-zup.com

Manufactured by



© September 2017 Absolute E-Z Up® Inc.
 Specifications subject to change without notice.
 Photos and drawings are for illustrative purposes.

