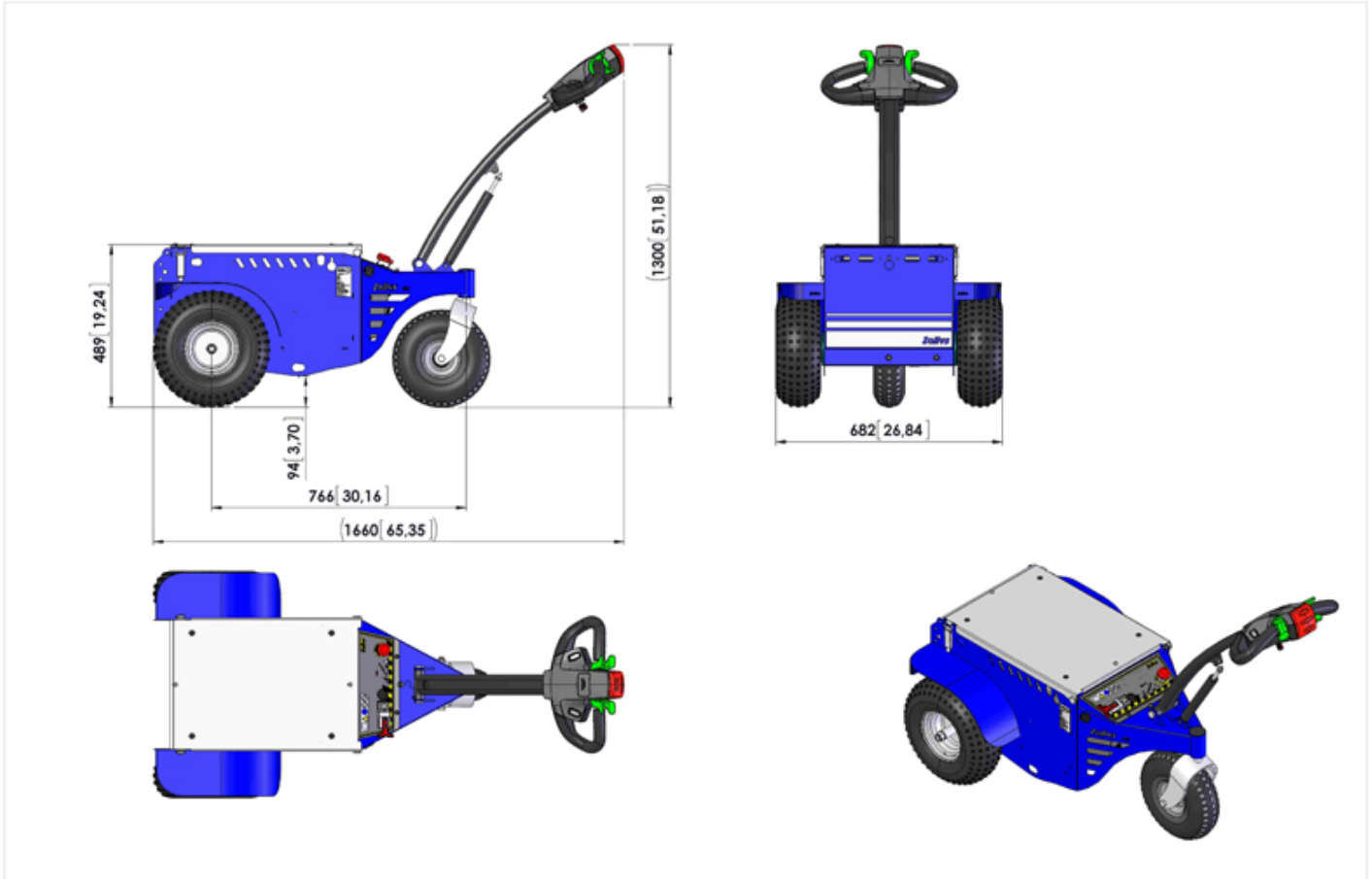




...the passion for moving



<b>Zallys</b>	TABLE: <b>Z168.720</b>	<b>M9</b>	Unit: mm / [ inch ]	1:10
---------------	------------------------	-----------	---------------------	------

Characteristics		Tolerance	M.U.	.
1.01	Model number			Z168.720-5R
1.02	Model name			M9
1.03	Manufacturer			ZALLY S
1.04	Operator			Pedestrian
1.05	Power unit			Electric
1.06	UL			
1.07	CE			

Frame characteristics		Tolerance	M.U.	.
1.80	Frame made of			Steel
1.82	Anti-Corrosion Treatment (on customer demand only)			Cataphoresis
1.83	Frame treatment			Polyester powder coating

Safety data		Tolerance	M.U.	.
2.01	Dead man safety system			Sensor on tiller head
2.02	Emergency reverse button			On tiller head
2.03	Emergency stop device			Emergency stop button
2.06	Power supply disconnection device			Detachable power connector
2.10	Acoustic signaling			Electric horn
2.11	Drive controls			Maintained action switch

Performances		Tolerance	M.U.	.
3.01	Max. forward speed	± 5 %	km/h	4.5
3.02	Max. backward speed	± 5 %	km/h	4.5
3.06	Max.load capacity on flat ground		kg	300
3.11	Max.towing capacity on flat ground (max 3') **		kg	3000
3.15	Max.slope with load *		%	15
3.23	Max towing force at hook **		N	1600
3.38	* Load capacity is subject to kind of slope , kind of floor and operating time			
3.40	** While the force expressed in N at the hook remains unchanged, the following circumstances may affect the towing capacity expressed in KG : type of ground on which the towing is performed, the use (or not) of ballasts and type of wheels mounted on the vehicle and on the trailer			

Drive controls		Tolerance	M.U.	.
4.01	Type of control			Tillerhead
4.02	Type of start control			Butterfly lever
4.03	Additional drive control			Radio remote control

Standard batteries		Tolerance	M.U.	.
5.01	Batteries			2
5.02	Batteries type			Traction lead acid batteries
5.03	Battery voltage		V	12
5.04	Nominal Capacity 5 h		Ah	72
5.05	Nominal Capacity 20 h		Ah	96

5.06	Weight of each battery		kg	25
------	------------------------	--	----	----

Optional battery specifications		Tolerance	M.U.	.
5.11	Batteries pcs			2
5.12	Batteries type			Traction AGM batteries
5.13	Battery voltage		V	12
5.14	Nominal Capacity k5		Ah	50
5.15	Nominal Capacity k20		Ah	70
5.16	Weight of each battery		kg	22

Available chargers		Tolerance	M.U.	.
6.40	Standard voltage		V	220/240
6.41	Multitension		V	110/240
6.42	Plug			In use in the country of destination

Technical data of standard charger		Tolerance	M.U.	.
6.01	Battery charger			External - high frequency
6.02.1	Input voltage max		V	230
6.03	Input Frequency		Hz	50-60

Optional charger specifications		Tolerance	M.U.	.
6.14	Charger suitable for AGM batteries of		A	50/70
6.19	**for all other details please refer to standard charger specifications			

Drive motor		Tolerance	M.U.	.
7.03	Engine			Electric
7.04	Electricity			Direct current
7.05	Engine voltage		V	24

Technical data		Tolerance	M.U.	.
8.01	Transmission system			Mechanical
8.02	Transmission lubrication			In oil bath
8.06	Service brake			Electronic
8.08	Parking brake			Electro-Mechanical

Weight		Tolerance	M.U.	.
9.01	Weight without batteries		kg	66
9.08	Weight incl. 72/96A lead acid batteries		kg	116
9.09	Weight incl. 50/70A AGM batteries		kg	110

Dimensions		Tolerance	M.U.	.
10.01	Length		mm	1660
10.02	Width		mm	682
10.03	Height of start control		mm	1300
10.08	Loading platform height		mm	489

10.14	Wheelbase		mm	766
10.15	Turning circle		mm	1600
10.16	* with tiller in vertical position			
10.50	**For further details please click on dimensions			

Standard wheels		Tolerance	M.U.	.
11.01	Drive wheels			2
11.03	Pivoting wheels no.			1
11.05	Tyres			Pneumatic
11.06	Type of tyres			Turf tyres
11.13	Drive tyres size			15-6.00-6"
11.17	Pivoting wheel size			4.00-4"
11.25	Inflation pressure		bar	2

Optional wheels		Tolerance	M.U.	.
11.42	Tyres			Super-elastic non-marking wheel
11.43	Kind of tyres			Turf tyres
11.44	Drive tyres size			4.00-4"
11.47	Pivoting wheel size			3.00-4"