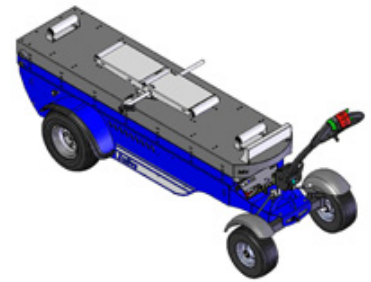
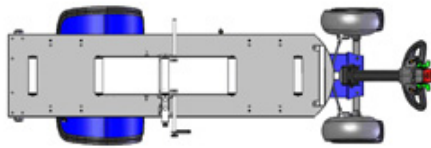
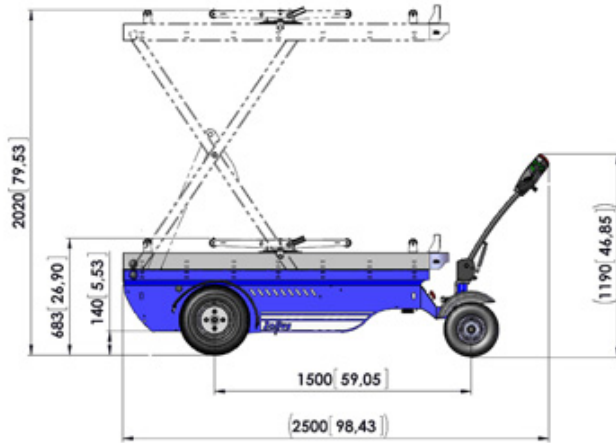




...the passion for moving



Zallys

TABLE:

Z140.780

XT 505

Unit: mm / [inch]

1:20

Characteristics		Tolerance	M.U.	.
1.01	Model number			Z140.780-1
1.02	Model name			XT 505
1.03	Manufacturer			ZALLYYS
1.04	Operator			Pedestrian
1.05	Power unit			Electric
1.06	UL			
1.07	CE			

Frame characteristics		Tolerance	M.U.	.
1.80	Frame made of			Steel
1.82	Anti-Corrosion Treatment (on customer demand only)			Cataphoresis
1.83	Frame treatment			Polyester powder coating

Safety data		Tolerance	M.U.	.
2.01	Dead man safety system			Sensor on tiller head
2.02	Emergency reverse button			On tiller head
2.03	Emergency stop device			Emergency stop button
2.04	Creep speed device			Button on tillerhead
2.06	Power supply disconnection device			Detachable power connector
2.10	Acoustic signaling			Electric horn
2.11	Drive controls			Maintained action switch
2.12	Ground drive controls not in use when platform is raised			Disabled
2.14	Emergency descent/ascent manual device			Manual
2.18	Devices for securing cargo			Safety straps with ratchet

Performances		Tolerance	M.U.	.
3.01	Max. forward speed	± 5 %	km/h	5
3.02	Max. backward speed	± 5 %	km/h	5
3.06	Max.load capacity on flat ground		kg	350
3.14	Max.slope without load		%	20

Technical data of hydraulic tilting system		Tolerance	M.U.	.
3.80	System voltage		V	24

Drive controls		Tolerance	M.U.	.
4.01	Type of control			Tillerhead
4.02	Type of start control			Butterfly lever

Standard batteries		Tolerance	M.U.	.
5.01	Batteries			2
5.02	Batteries type			Traction lead acid batteries
5.03	Battery voltage		V	12
5.04	Nominal Capacity 5 h		Ah	72
5.05	Nominal Capacity 20 h		Ah	96

5.06	Weight of each battery		kg	25
------	------------------------	--	----	----

Optional battery specifications		Tolerance	M.U.	.
5.11	Batteries pcs			2
5.12	Batteries type			Traction AGM batteries
5.13	Battery voltage		V	12
5.14	Nominal Capacity k5		Ah	50
5.15	Nominal Capacity k20		Ah	70
5.16	Weight of each battery		kg	22

Optional battery specifications		Tolerance	M.U.	.
5.21	Batteries			2
5.22	Batteries type			Traction lead acid batteries
5.23	Battery voltage		V	12
5.24	Nominal Capacity k5		Ah	126
5.25	Nominal Capacity k20		Ah	167
5.26	Weight of each battery		kg	40

Technical data of standard charger		Tolerance	M.U.	.
6.01	Battery charger			External - high frequency
6.02	Input voltage		V	230
6.03	Input Frequency		Hz	50-60

Optional charger specifications		Tolerance	M.U.	.
6.14	Charger suitable for AGM batteries of		A	50/70
6.19	**for all other details please refer to standard charger specifications			

Drive motor		Tolerance	M.U.	.
7.03	Engine			Electric
7.04	Electricity			Direct current
7.05	Engine voltage		V	24

Technical data		Tolerance	M.U.	.
8.01	Transmission system			Mechanical
8.02	Transmission lubrication			In oil bath
8.06	Service brake			Electronic
8.08	Parking brake			Electro-Mechanical
8.11	Platform lifting system			Electro-hydraulic
8.21	Standard equipment			Rotating platform with rollers

Weight		Tolerance	M.U.	.
9.01	Weight without batteries		kg	291
9.08	Weight incl. 72/96A lead acid batteries		kg	341
9.09	Weight incl. 50/70A AGM batteries		kg	335
9.13	Weight incl. 126/167A lead acid batteries		kg	371

Dimensions		Tolerance	M.U.	.
10.01	Length		mm	2500
10.02	Width		mm	810
10.03	Height of start control		mm	1190
10.11.1	lifting height max		mm	2020
10.11.2	lifting height min		mm	682
10.14	Wheelbase		mm	1500
10.15	Turning circle		mm	5200
10.16	* with tiller in vertical position			
10.50	**For further details please click on dimensions			

Standard wheels		Tolerance	M.U.	.
11.01	Drive wheels			2
11.02	Steering wheels			2
11.05	Tyres			Polyurethane
11.06	Type of tyres			Grooved tyres
11.13	Drive tyres size			16-6.50-8"
11.14	Steering wheels size			13-5.00-6"