



Introducing the NEW ...
ISP-11 TTH

BROCHURE



TIRE TRANSPORT HANDLER...

- *A Breakthrough Order-Picker for Tires!*
- *With The Innovative Lift Compartment System*
- *Unique Maintenance-free hydraulic mast assembly*



ANOTHER WAY OF
 MAKING WORK SAFER,
 FASTER, EASIER...
 & MORE PRODUCTIVE.



The AEUP *Transport Dolly* Accessory also provides
 additional tire transport capacity



Unit Transport Capacity:
 Operator Platform:: 287 lbs.
 Tire Lift Compartment: 220 lbs.



Gradeability:
35%



Travel Speed:
3.1 mph



Turning Radius
Inside: Zero

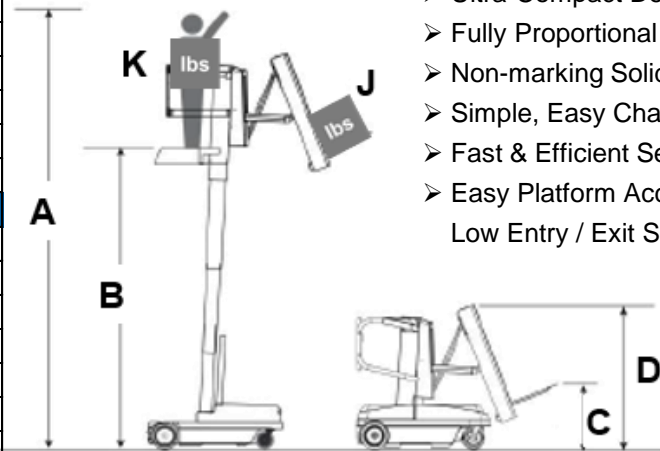


Eco-Friendly



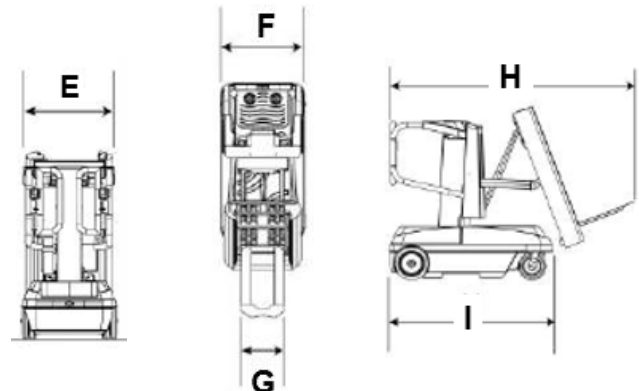
Manufacturer 5-2-1 Platinum Warranty The BEST in the industry!

TECHNICAL DATA		Imperial	Metric
Max. Working Height	A	17' 6"	5350 mm
Max. Platform Height	B	11'	3350 mm
Tire Platform Height	C	14"	356 mm
Unit Height- Stowed	D	63"	1601 mm
Operator Bay Width	E	28.7"	808 mm
Unit Base Width	F	31.8"	809 mm
Tire Compartment Width	G	16.1"	410 mm
Unit Length- w/Tire Compartment	H	88.3"	2243 mm
Unit Base Length.	I	59"	1500 mm
CAPACITIES			
Operator's Bay	J	286 lbs.	130 kg
Tire Compartment Tray	K	220 lbs.	100 kg
Occupants	One		
Unit Gross Weight	1,750 lbs.		794 kg
Drive Speed- Stowed	3.1 mph		5 km/h
Drive Speed- Raised	0.74 mph		1.2 km/h
Gradeability	35%		
Inside Turning Radius	Zero		
Outside Turning Radius	78.5"	1995 mm	
Raise / Lower Speed	18 / 14 sec		
Driving System	Two-handed Proportional		
Tires	Non-marking		
Tilt Sensor	Standard		
POWER			
Batteries	(4) 6V, 245 Ah		
Power	24V c.c.		
Load Network Power	110 / 220V c.a.		
Duty Cycle- Drive & Time (on a single charge)	17 miles	28 km	
	9+ hours		



Model Highlights

- Ultra-Compact Design
- Fully Proportional Lift & Drive
- Non-marking Solid Tires
- Simple, Easy Charging
- Fast & Efficient Serviceability
- Easy Platform Access with Low Entry / Exit Step



BENEFITS & OPERATION

- ❑ Designed to take the effort out of placing or retrieving tires from storage racks
- ❑ The innovative Lift Compartment System can be loaded with up to four tires, depending on their size and weight.
- ❑ Adjust the inclination and the load of the Lift Compartment by simply pressing the buttons from on board the **ISP-11 TTH.**
- ❑ The set of roller side guides are electrically operated to roll-in tires in order to easily allow the operator to pick up tires from the Lift Compartment. Releasing the button automatically stops its movement.
- ❑ Delivers solutions of reducing operator fatigue, while optimizing warehouse space and time efficiency.
- ❑ Control panel equipped with a large LCD display showing vehicle status, system operating time and battery status.



Telephone: 843.388.2556
 Fax: 843.388.2558
 Email: salesdept@absolute-zup.com
www.absolute-zup.com

Distributed By: